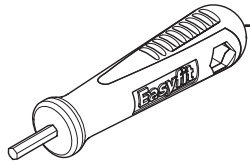
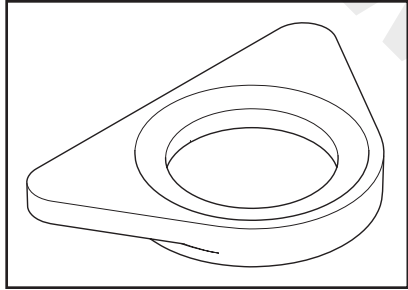
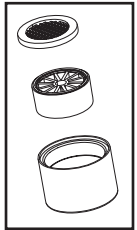
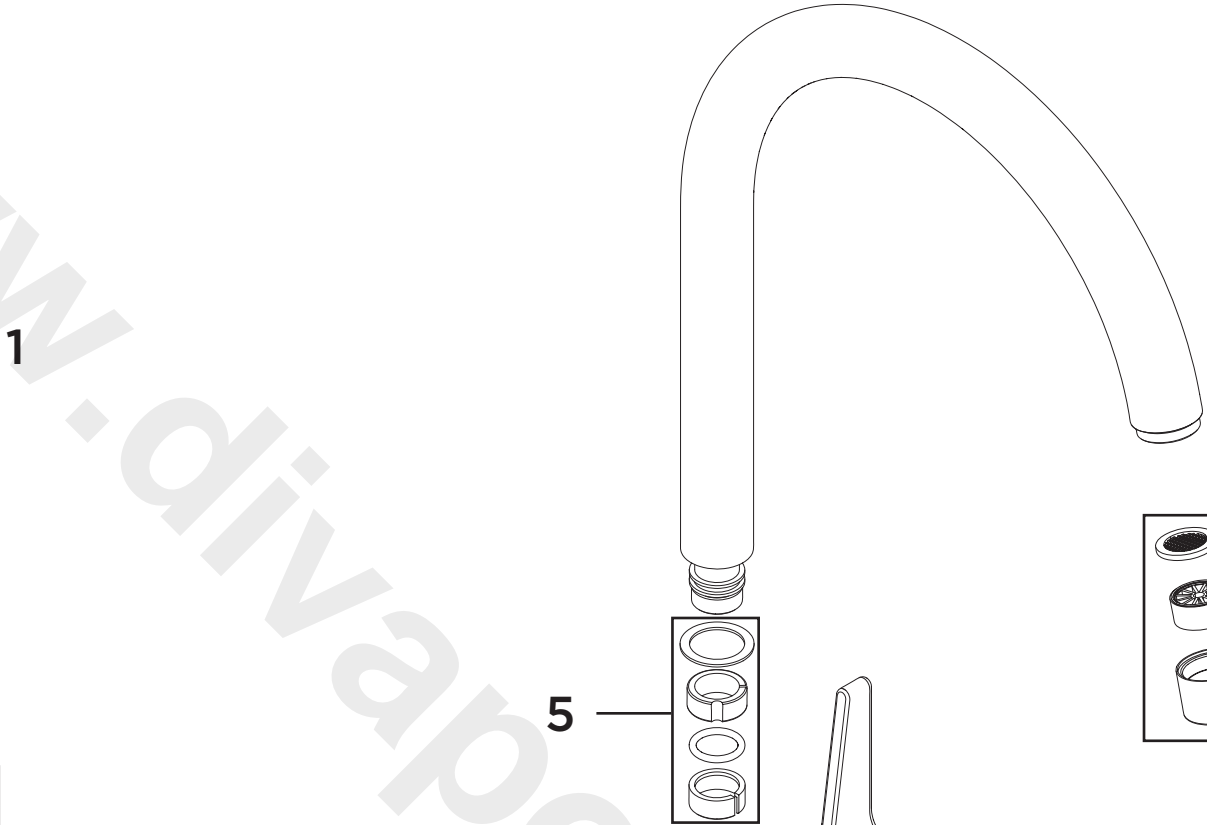
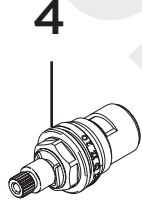
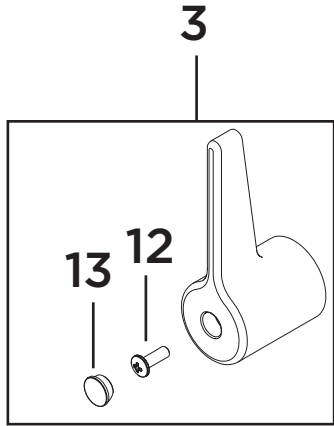


**Product Code:** DUL SNK EF C  
**Revision:** D5



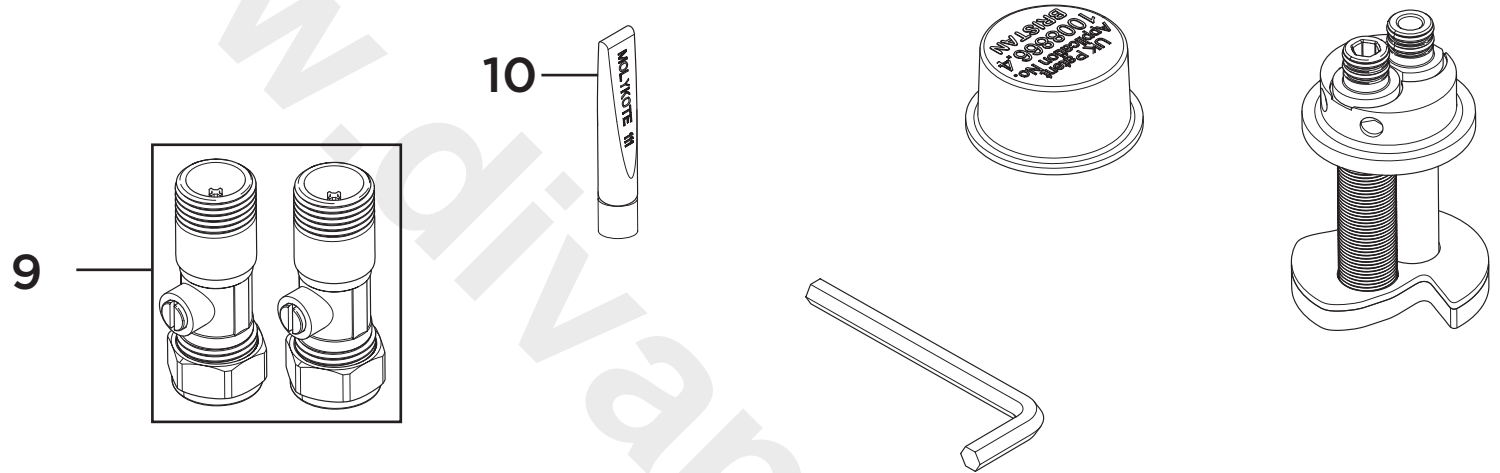
1	Reinforcing Plate
2	EasyFit Tool
3	Handle Assembly
4	1/2" Ceramic Disc Valves (Pair)
5	O-Ring Pack
6	Anti-Splash Assembly
7	M5 x 6mm Grub Screw
8	EasyFit Pack
9	Isolation Valves (Pair)
10	Molykote Grease
11	1/2" BSP Flexible Tails (Pair)
12	Screw Handle
13	Indice



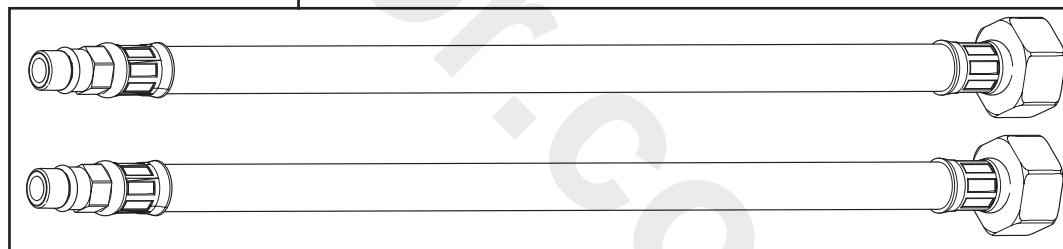
6

**Product Code:** DUL SNK EF C  
**Revision:** D5

8



11



1	Reinforcing Plate
2	EasyFit Tool
3	Handle
4	1/2" Ceramic Disc Valves (Pair)
5	O-Ring Pack
6	Anti-Splash Assembly
7	M5 x 6mm Grub Screw
8	EasyFit Pack
9	Isolation Valves (Pair)
10	Molykote Grease
11	1/2" BSP Flexible Tails (Pair)
12	Screw Handle
13	Indice